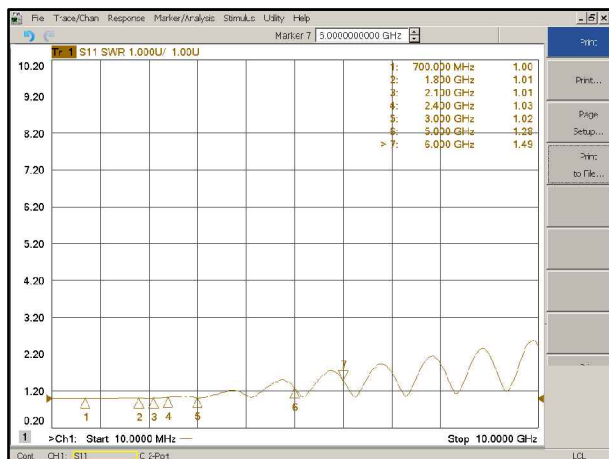
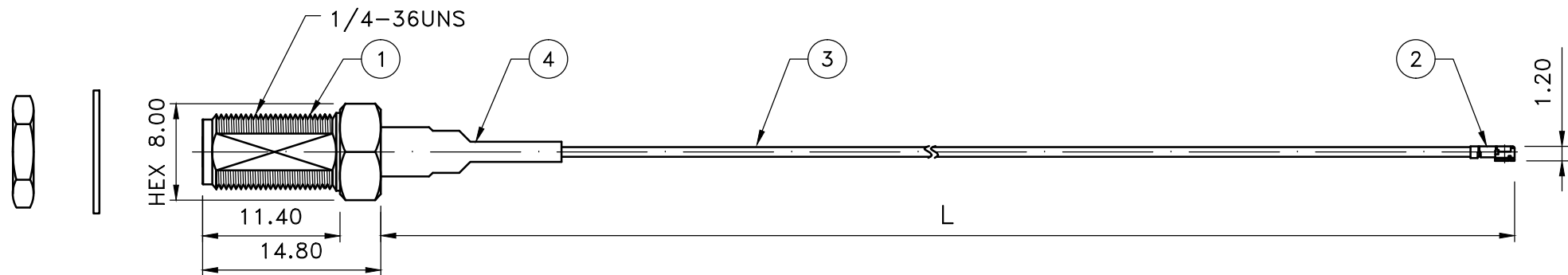


REV	DATE	DESCRIPTION	DRAWN



Prohibit re-circulating

NOTE:

1. SMA FEMALE BULKHEAD
 CENTER PIN GOLD PLATING 20 μ THICK OVER NICKEL STRIKE
 BODY GOLD PLATING 3 μ THICK OVER NICKEL STRIKE
 BRASS AND PTFE PER SGS
 PTFE : TOMBO No.9002
 FINISH PLATING THICKNESS IN MICRO-INCHES
 COPPER PARTS AUTOMATIC CNC MANUFACTURING
2. I-PEX MHF 4
 CENTER PIN GOLD PLATING 0.1 μ THICK OVER NICKEL STRIKE
 BODY GOLD PLATING 0.05 μ THICK OVER NICKEL STRIKE
 LCP UL94V-0
 PHOSPHOR BRONZE PER QQ-C-750
 FINISH PLATING THICKNESS IN MICRO-INCHES
 BRONZE PARTS AUTOMATIC CNC MANUFACTURING
3. ϕ 0.81mm 36AWG COAXIAL CABLE
 ATTENUATION : 4.7dB/m@2GHz 5.8dB/m@3GHz 8.5dB/m@6GHz
 CONDUCTOR : SILVER-COATED COPPER/ ϕ 0.15mm
 INSULATION : PFA/ ϕ 0.41mm
 SHIELD : SILVER-COATED COPPER/8*5*0.05mm
 JACKET : PFA/ ϕ 0.81mm




華耀科技有限公司
 Hwa Yao Technologies co.,Ltd

NOTE	DIMENSION	TITLE		
1. STRIP ALL BURRS. 2. ALL DIMENSIONS ARE AFTER PLATING. 3. DIAMETERS ON COMMON CENTERS. TO BE CONCENTRIC WITHIN 0.1 T.I.R 4. CHAMFER 1ST & LAST THREADS 45° 5. BREAK ALL CONNERS & EDGES CO.15 MAX.	UNLESS OTHERWISE NOTED TOLERANCES 0.X=±0.2 0.XX=±0.1 CABLE LENGTH: L ≥ 10000 = +50 1000 ≤ L < 10000 = +30 L < 1000 = +8 0	SMA1012-IPEX2603		
		APPROVED	DRAWN DATE 02/10/14	
		CHECKED	SCALE 2:1	
		DRAWN	UNIT mm	
		ALICE		